

VIPER FOAM PVB-3012

230 lpm  
**NOZZLE:**  
 1-1/2" BSP swivel  
 Weight: 1.525 g.  
 Length: 47.5 cm



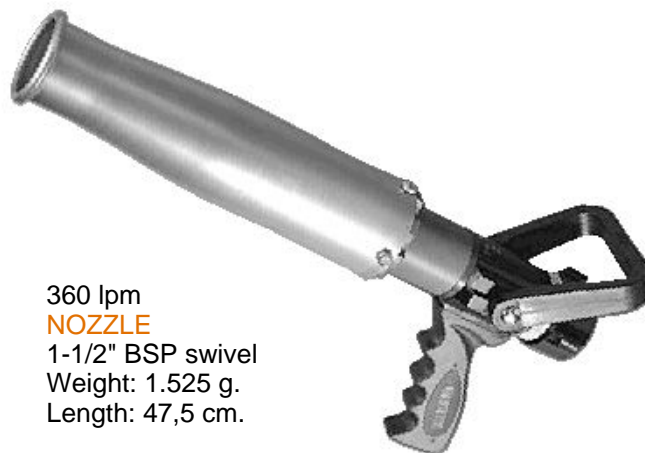
VIPER FOAM PVB-1560

115 lpm  
**NOZZLE**  
 1" BSP swivel  
 Weight: 1.310 g.  
 Length: 39 cm.



VIPER FOAM PVB-7515

360 lpm  
**NOZZLE**  
 1-1/2" BSP swivel  
 Weight: 1.525 g.  
 Length: 47,5 cm.



FLOW RATE

Model	Nozzle Pressure		Nozzle Flow Rate		Degree of Expans.	Effective Reach	
	psi	bar	gpm	lpm		feet	metres
PVB - 1560	75	5	30	115	10:1	30	9
	100	7	35	133	10:1	36	11
PVB - 3012	75	5	60	230	12:1	39	12
	100	7	69	266	12:1	46	14
PVB - 7515	75	5	95	360	9:1	46	14
	100	7	110	416	9:1	56	17